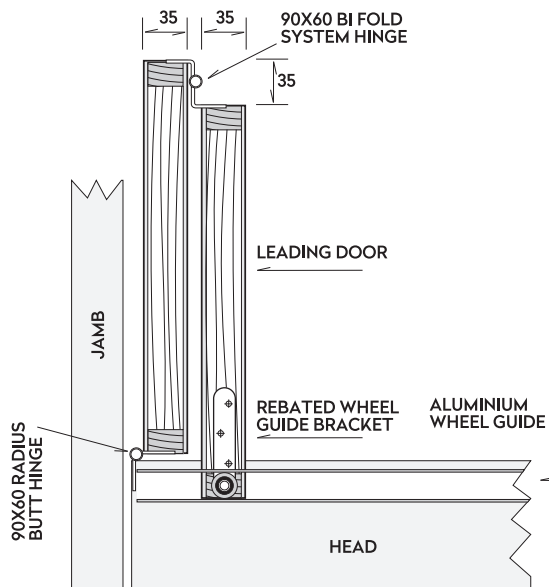
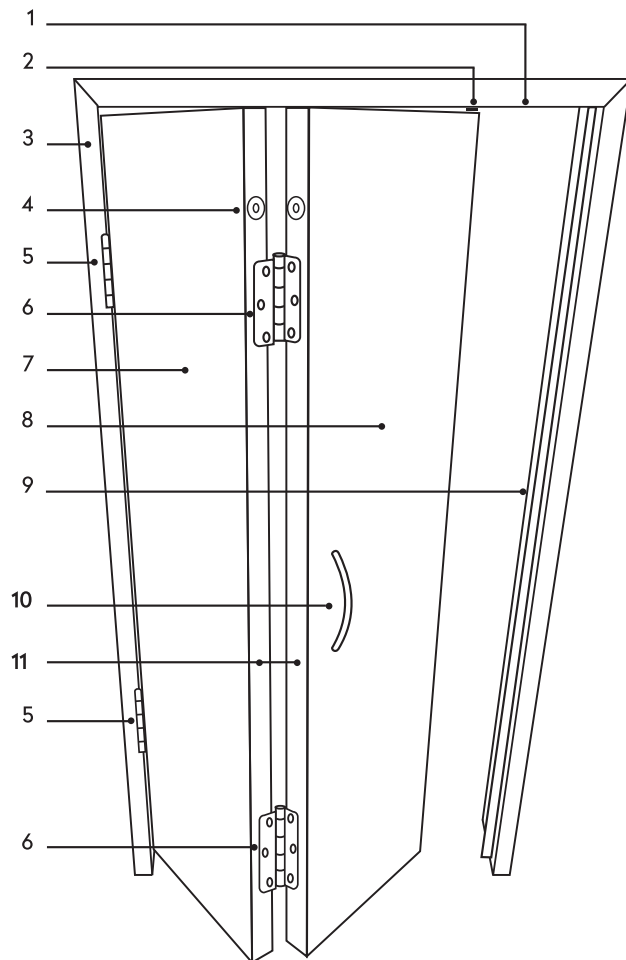
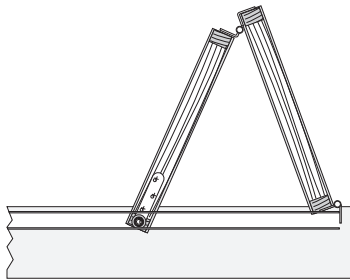


STANDARD 2 DOOR OVERVIEW

- 1/ HEADER / REBATED ALUMINIUM GUIDE CHANNEL
- 2/ GUIDE WHEEL REBATED INTO TOP EDGE OF LEADING DOOR
- 3/ DOOR JAMBS
- 4/ MAGNETIC DOOR CLOSURES
- 5/ STANDARD BUTT RADIUS HINGES 90 x 60mm
- 6/ BI FOLD PAT. PEND. RADIUS HINGES 90 x 60mm
- 7/ HINGED DOOR
- 8/ LEADING DOOR
- 9/ DOOR STOPS
- 10/ PREFERRED POSITION FOR DOOR HANDLE FIXED TO LEADING DOOR 60mm FROM LEADING EDGE
- 11/ CLOSING BEVELS

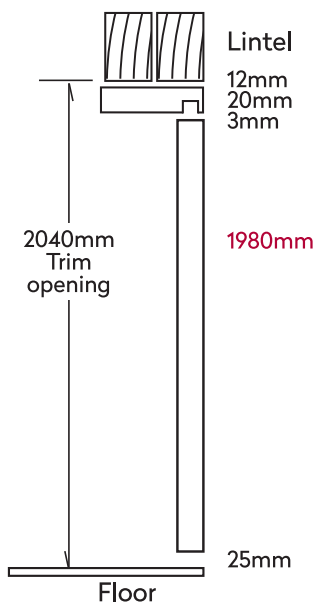


2 DOOR CALCULATIONS



Max Panel Height 2000mm
 Max Panel Weight 25kg
 Max Panel Width 700mm

Min Panel Thickness 34mm
 Max number of panels 2



1/ **Measure trim opening eg:** 2040mm high
 861mm wide

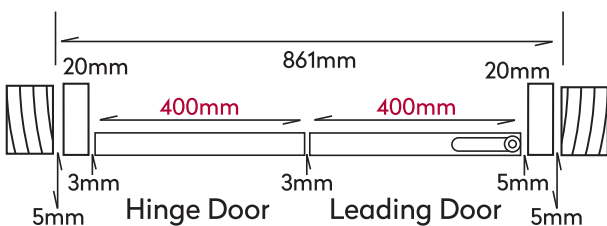
2/ **Establish door height**
 Trim height 2040mm
 less installation clearance >12mm
 less head Jamb thickness >20mm
 less head clearance >3mm
 less floor clearance >25mm

Door leaf height = 1980mm

3/ **Establish door width**
 Trim width 861mm
 less side Jamb thickness's >40mm
 less installation clearances >10mm
 less door clearances >11mm

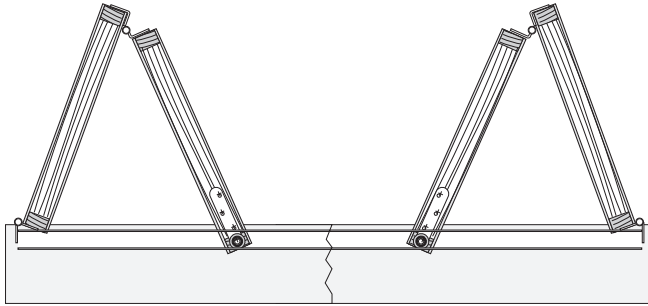
Door width = 800mm

Divide by number of doors 2
Door size = 400mm

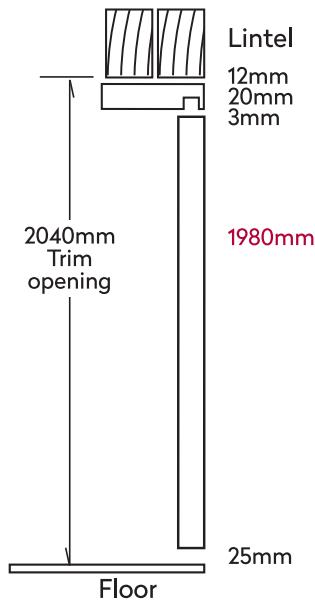


STANDARD SINGLE BI-FOLD	300mm	3mm	3mm	6mm
DOOR CLEARANCES	400mm > 500mm	3mm	3mm	5mm
	600mm > 700mm	3mm	3mm	4mm

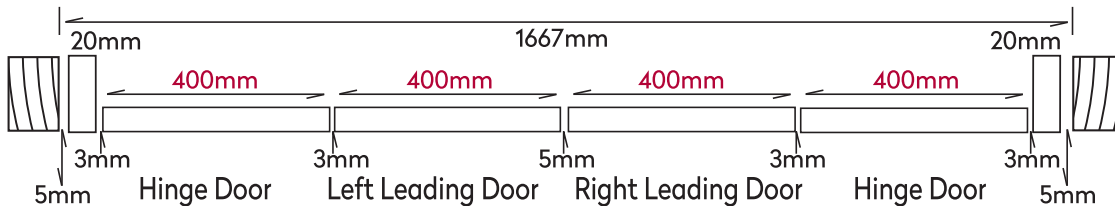
4 DOOR CALCULATIONS



Max Panel Height	2000mm	Min Panel Thickness	34mm
Max Panel Weight	25kg	Max number of panels	4
Max Panel Width	500mm		

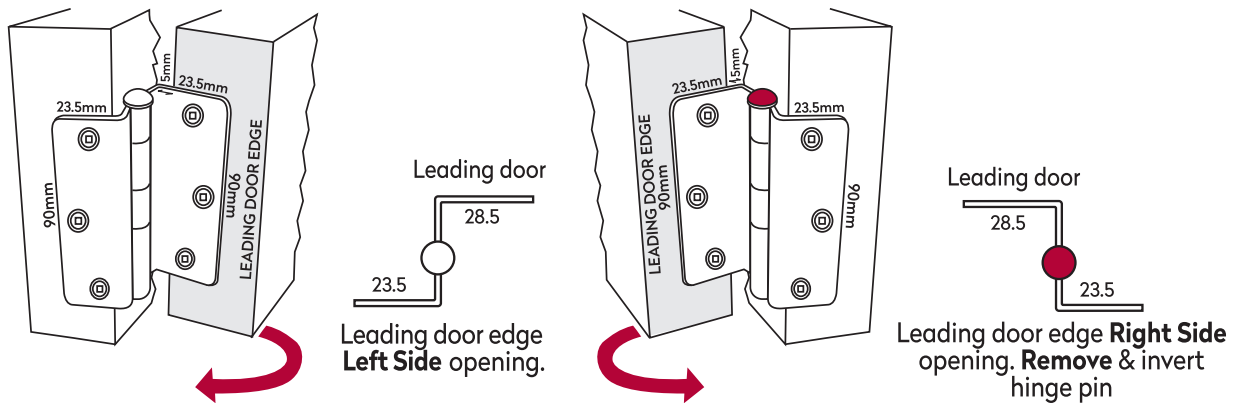


- 1/ Measure trim opening eg: 2040mm high
1668mm wide
- 2/ Establish door height
 - Trim height 2040mm
 - less installation clearance >12mm
 - less head Jamb thickness >20mm
 - less head clearance >3mm
 - less floor clearance >25mm
 - Door leaf height = 1980mm**
- 3/ Establish door width
 - Trim width 1667mm
 - less installation clearances >10mm
 - less side Jamb thickness's >40mm
 - less door clearances >17mm
 - Door width 1600mm**
 - Divide by number of doors 4
 - Door size = 400mm**

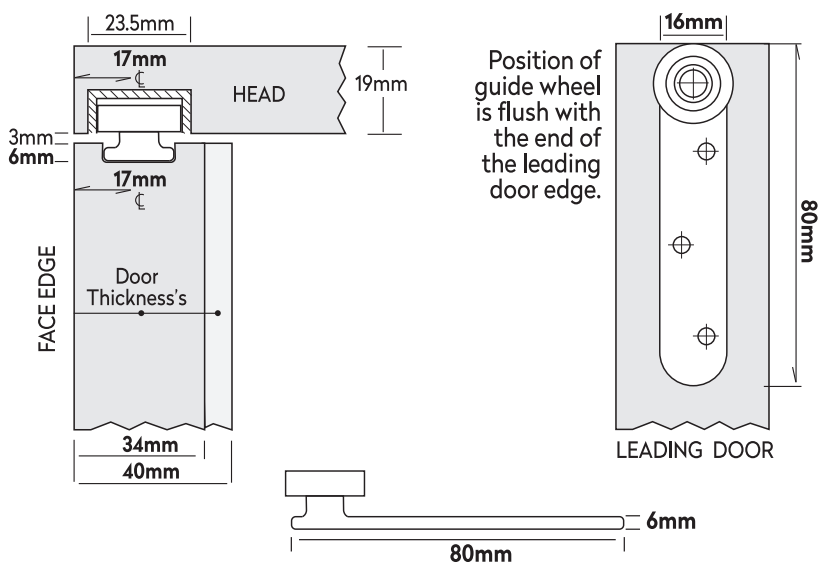


STANDARD DOUBLE BI-FOLD DOOR CLEARANCES	300mm	3mm	3mm	6mm	3mm	3mm
	400mm > 500mm	3mm	3mm	5mm	3mm	3mm

OVERVIEW BI-FOLD DOOR HINGE



OVERVIEW BI-FOLD GUIDE WHEEL



Routing of the guide wheel is 80mm length, 16mm width, 6mm depth. On 34mm & 40mm door thickness's, centre for the guide wheel is 17mm from the leading door face edge.

Position of guide wheel is flush with the end of the leading door edge.